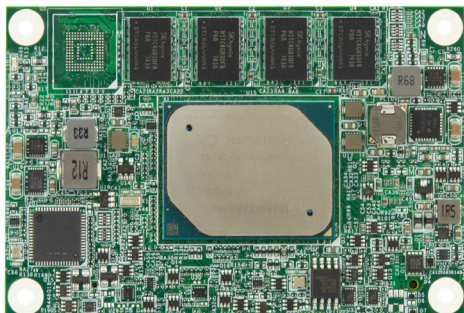


EmNANO-i2408

Intel Apollo Lake SoC Processor Mini COM Express® Type 10 CPU Module



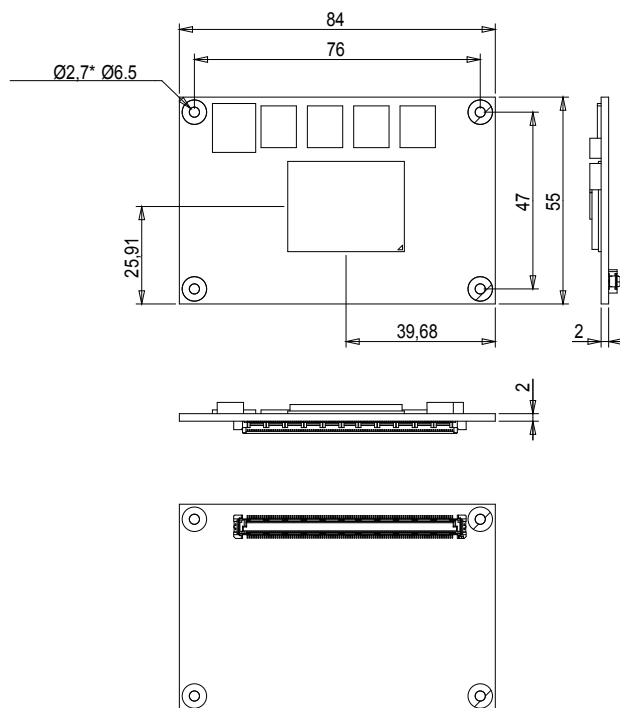
Features

- Soldered onboard Intel Apollo Lake SoC Processor
- Intel I210IT PCIe GbE controller
- Support Intel® Solid State Drive (SSD) Embedded "E SKU's
- Single Channel 24-bit LVDS and 1 x DDI port

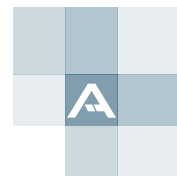
| System | |
|-------------------|---|
| CPU | Soldered onboard Intel® Atom™ x7-E3950 1.6GHz/ x5-E3940 1.6GHz/ x5-E3930 1.3GHz processor |
| Memory | Soldered onboard 4GB DDR3L SDRAM, upgradable to 8GB |
| BIOS | AMI UEFI BIOS |
| I/O | |
| USB Port | 10 x USB ports: - 8 x USB 2.0 ports(Support USB2.0 only) - 2 x USB 3.0 SuperSpeed ports |
| Expansion Bus | 4 x PCIe1 lanes up to 3 devices, I2C Interface, SDIO |
| Storage | 2 x Serial ATA ports Soldered onboard eMMC 5.0 up to 32GB (OEM Request) |
| Ethernet Chipset | 1 x Intel® i210IT PCIe GbE controller |
| Audio | HD audio link |
| TPM | INFINEON SLB 9665XT2.0 |
| Display | |
| Graphic Chipset | Intergrated in Intel® HD graphic |
| Graphic Interface | LCD: Single Channel 24-bit via eDP to LVDS NXP PTN3460 1 x DDI port |
| OS support | |
| Windows 10 64-bit | |
| Linux: Ubuntu | |

| Mechanical & Environmental | |
|----------------------------|--|
| Power Requirement | 5V/12V Auto detect |
| Power Consumption | 0.8A@12V with E3940 (Typical with PBN-9007) |
| Operating Temp. | -40°C ~ 85°C (-40 ~ 185°F) |
| Operating Humidity | 10 ~ 95% @ 85°C (non-condensing) |
| Dimensions (L x W) | 84 x 55 mm (3.3" x 2.17") |

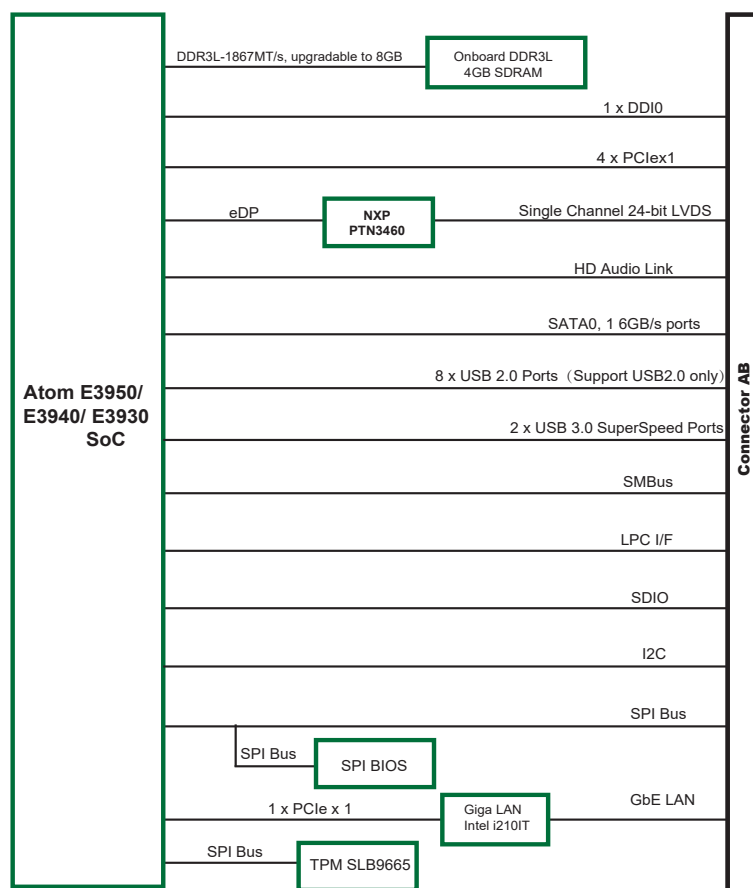
Dimensions



Unit : mm



Block Diagram



Ordering Information

| | |
|--|---|
| EmNANO-i2408-WT-E3940-4G | Intel Atom x5-E3940 COM express Type 10 CPU module w/ 4GB memory soldered on module, -40°C~85°C |
| EmNANO-i2408-WT-E3950-4G (OEM request) | Intel Atom x7-E3950 COM express Type 10 CPU module w/ 4GB memory soldered on module, -40°C~85°C |
| EmNANO-i2408-WT-E3930-4G (OEM request) | Intel Atom x5-E3930 COM express Type 10 CPU module w/ 4GB memory soldered on module, -40°C~85°C |

Optional Accessories

| | |
|--------------------------|--|
| PBN-9007 | PBN-9007 COM Express Mini Type 10 carrier board |
| HS-2402-F1-T (E Series) | Heat Spreader,AL,84*55*11mm,W/THREADED,W/PAD,ACE (for EmNANO-i2402-E39x0) |
| HS-2402-F1-NT (E Series) | Heat Spreader,AL,84*55*11mm,THROUGH HOLE,W/PAD,ACE (for EmNANO-i2402-E39x0) |
| CBK-05-9007-00 | PBN-9007 cable kit 1 x USB cable 1 x Serial port cable 1 x SATA cable 1 x SATA Power cable 1 x PS/2 cable |