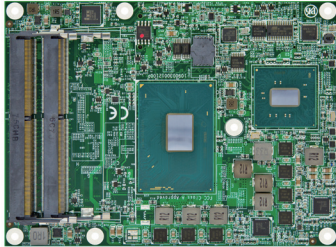


EmETXe-i90M3



7th Generation Intel® Core™ i7-7820EQ/i5-7442EQ/Xeon E3-1505L v6 Processor COM Express® Basic Type 6 CPU Module



Features

- Soldered onboard 7th Generation Intel® Core™ i7-7820EQ/i5-7442EQ/Xeon E3-1505L v6
- Intel I219LM PCIe GbE PHY w/ iAMT
- Dual Channels 24-bit LVDS and 2 x DDI ports, Analog RGB
- Support 2 independent displays
- 8.5V~20V Wide Range Voltage Input
- **Wide Range Operating Temp.: -40 ~ 85°C**

System

CPU	Soldered onboard 7 th Generation Intel® Core™ i7-7820EQ 2.8GHz/i5-7442EQ 2.7GHz/Xeon E3-1505L v6 3.0GHz
Chipset	Intel QM175 PCH/CM238
Memory	2 x DDR4 SO-DIMM sockets
BIOS	AMI UEFI BIOS
Watchdog Timer	1~255 levels reset

I/O

USB Port	12 x USB ports: - 8 x USB 2.0 ports - 4 x USB 3.0 ports
Serial Port	2 x UART ports (RX/TX only)
Expansion Bus	8 x PCIe x1 lanes, 1 x PCIe x16 lane, I2C Interface, GPIO
Storage	4 x Serial ATA ports with 600MB/s HDD transfer rate
Ethernet Chipset	1 x Intel® i219LM PCIe GbE PHY w/ iAMT
Audio	HD audio link
TPM	Supports TPM (OEM Request)

Display

Graphic Chipset	Integrated Intel® HD Graphics 630/P630
Graphic Interface	LCD: Dual Channels 24-bit LVDS Analog RGB 2 x DDI ports

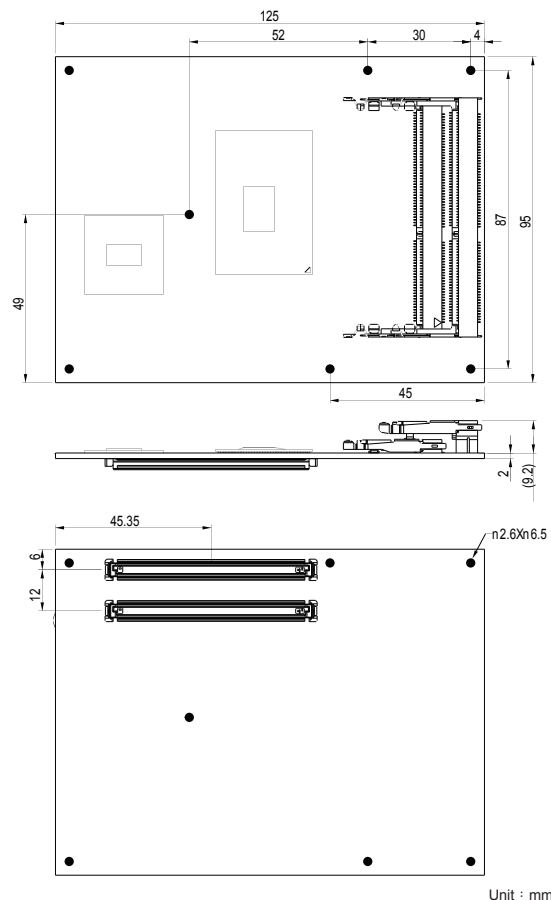
OS support

Windows 10 64-bit
Linux: Ubuntu

Mechanical & Environmental

Power Requirement	8.5V~20V +/- 5% wide range voltage input, +5VSB
Power Consumption	4.31A@12V(i7-7820EQ Typical)
Operating Temp.	-40 ~ 85°C (-40 ~ 185°F)
Operating Humidity	10 ~ 95% @ 85°C (non-condensing)
Dimensions (L x W)	125 x 95 mm (4.9" x 3.7")

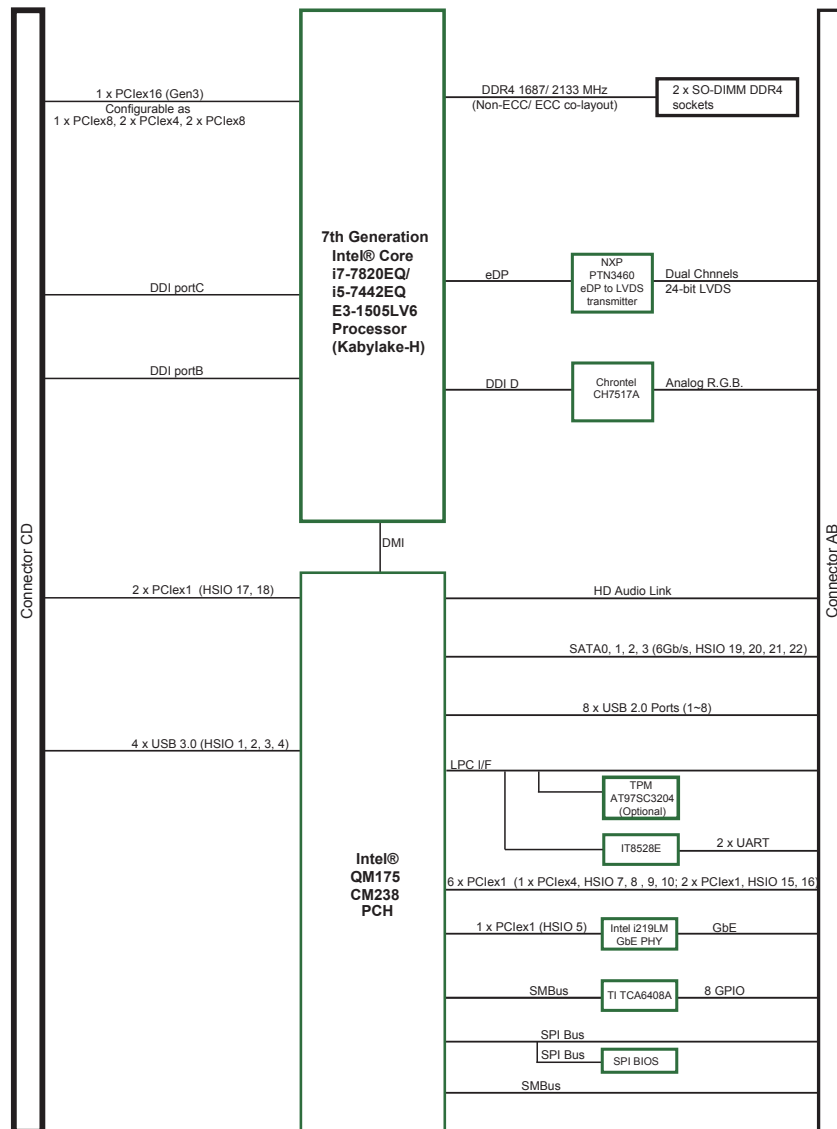
Dimensions



Unit : mm



Block Diagram



Ordering Information

EmETXe-i90M3-WT-7820EQ	WT COMe Type 6 Basic CPU Module, Kabylake-H, i7-7820EQ, w/VGA, -40 ~ 85°C
EmETXe-i90M3-WT-7442EQ	WT COMe Type 6 Basic CPU Module, Kabylake-H, i5-7442EQ, w/VGA, -40 ~ 85°C
EmETXe-i90M3-WT-1505LV6	WT COMe Type 6 Basic CPU Module, Kabylake-H, Xeon, E3-1505L v6, w/VGA, -40 ~ 85°C

Optional Accessories

HS-90M0-C1	Heat sink with Fan (125x95x35mm)
PBE-1705-F1	COM Express® Type 6 evaluation carrier board with SIO F71869ED module in ATX form factor
CBK-03-1705-00	Cable kit 1 x SATA cable 2 x COM Flat cables