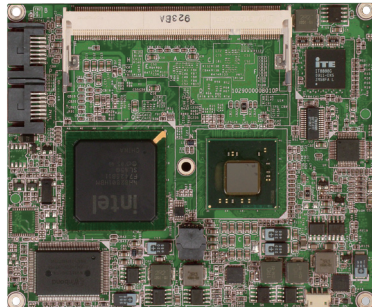




EmETX-i2900

ETX

Intel® Atom™ Processor N450/D510 ETX CPU Module



Features

- **Fanless Design**
- ETX 3.0 with SATA Connectors
- Soldered onboard Intel® Atom™ Processor N450/D510
- Single Channel 18-bit LVDS, and Analog RGB
- **Extended Operating Temp.: -20 ~ 70°C**

System

Processor	Soldered onboard Intel® Atom™ Processor N450 1.6GHz D510 1.66GHz
Chipset	Intel® ICH8M
Memory	1 x DDR2 SO-DIMM socket, supporting up to 2GB 667MHz SDRAM
BIOS	AMI BIOS
Watchdog Timer	1~255 levels reset

I/O

Super IO chipset	Winbond W83627HG
Serial Port	1 x RS-232 1 x RS-232/422/485 (by Carrier Board)
Parallel Port	SPP/EPP/ECP mode
Keyboard & Mouse	PS/2 interface for keyboard and mouse
USB 2.0	4 x USB 2.0 ports
Expansion	4 x PCI, ISA, LPC
Storage	1 x Ultra ATA, supporting 2 IDE devices 2 x Serial ATA ports with 300MB/s HDD transfer rate
Ethernet Chipset	1 x Realtek RTL8103 PCIe 10/100Base-T Ethernet controller
Audio	Realtek ALC888 7.1 Channel HD Audio Codec, Mic-in/ Line-in/Line-out

Display

Graphic Chipset	Integrated Intel® GMA 3150
Graphic Interface	Analog RGB/DVI: Analog RGB, with resolution up to 1400x1050 (N450), 2048x1536 (D510) LCD: Single channel 18-bit LVDS, with resolution up to 1280x800 or 1366x768

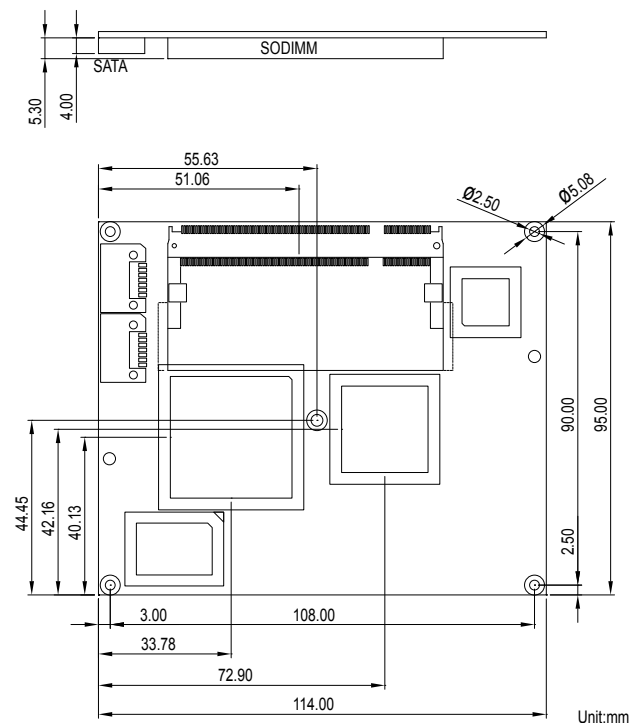
OS Support

Windows 2000 32-bit
Windows XP 32-bit

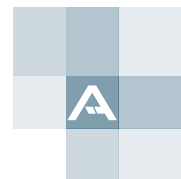
Mechanical & Environmental

Power Requirement	DC 5V, 5VSB
Power Consumption	2.21A@5V with N450, 3.18A@5V with D510 (Typical, with PBE-1700)
Operating Temp.	-20 ~ 70°C (-4 ~ 158°F)
Operating Humidity	10 ~ 95% @ 70°C (non-condensing)
Dimension (L x W)	114 x 95 mm (4.5" x 3.7")

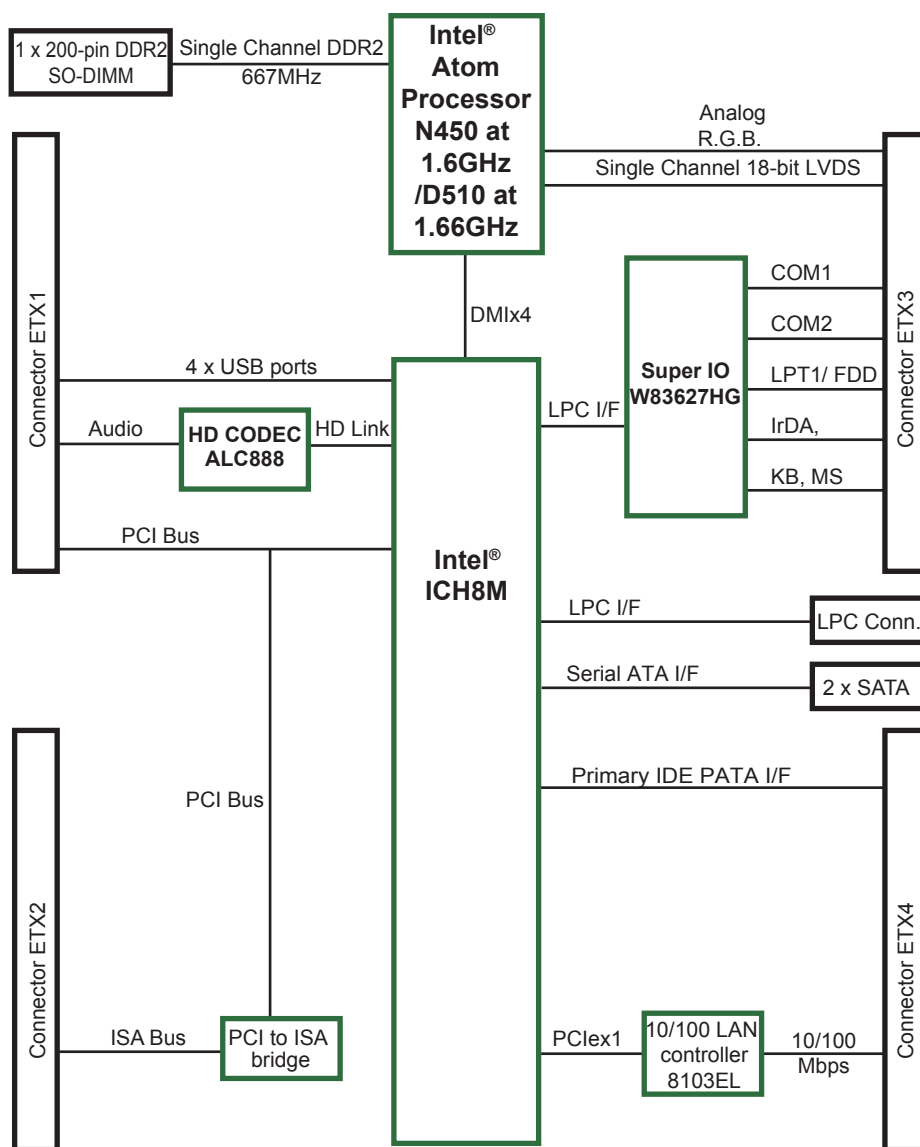
Dimensions



Computer on Module



Block Diagram



Ordering Information

EmETX-i2900-N4	Intel® Atom™ Processor N450/ ICH8M ETX CPU module
EmETX-i2900-D5	Intel® Atom™ Processor D510/ ICH8M ETX CPU module

Optional Accessories

HS-0742-F3	Heat spreader 114x95x8mm
HS-0000-W4	Universal evaluation heat sink kit with thermal pad 125x95x22mm, only used on a flat-type heat spreader
PBE-1000 R2.1	ETX evaluation carrier board in ATX form factor
CBK-08-1000-00	Cable kit 1 x FDD cable 3 x Serial port cables 1 x USB cable 2 x IDE cables 1 x TV-out cable