

ProfiShark 1G+

All-in-One Gigabit Ethernet Troubleshooter

The Ultimate Solution for Field Testing & Monitoring

- A full featured field service tool, compact and easy to use.**
All-in-one in a pocket-sized box, the only additional hardware required being a PC with a free USB 3.0 port, the ProfiShark 1G+ is the perfect tool for the field engineer as well as for long-term traffic collection. As it is based on USB 3.0 (5 Gbit/s), the ProfiShark 1G+ manages full-duplex Gigabit at wirespeed. The ProfiShark 1G+ is fitted with GPS and PPS input ports for advanced timestamping.

Features

- 10/100/1G monitoring on USB 3.0
- USB 3.0 powered
- Fail-safe monitoring
- Hardware aggregation
- 8 ns hardware timestamp
- GPS-linked timestamping with PPS synchronization
- Real time statistics
- In-depth network port diagnostic and control
- Low level error and bandwidth monitoring
- Direct capture to disk
- Invisible to the network
- PoE compliant



The ProfiShark 1G+ has the ability to capture:

- Any type of frames (VLAN, VXLAN, MPLS, CRC error, Pause frames...)
- Any encapsulated frames
- Any frames between 10 bytes and 10 Kbytes

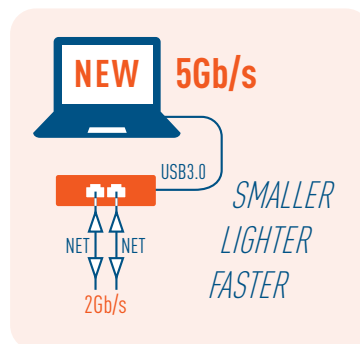
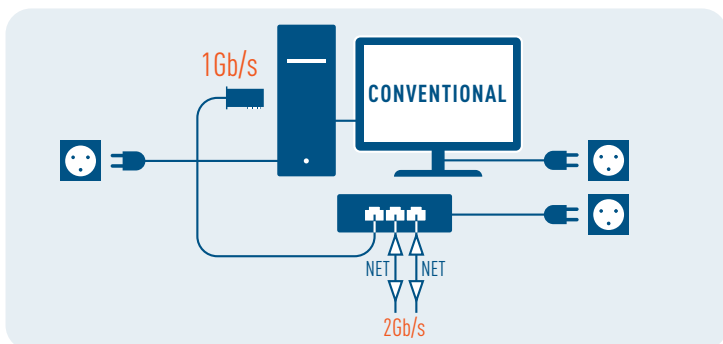
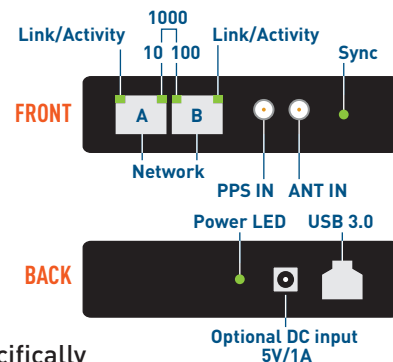
GPS Timestamping

This feature allows real time analysis of aggregated and buffered traffic. It can tag packets with UTC-based, GPS-linked, nanosecond resolution timestamps (typical ± 16 ns precision). A PPS input is also possible for increased NTP-based timestamp precision.

ProfiShark Manager

The ProfiShark 1G+ includes ProfiShark Manager, an application designed specifically for the ProfiShark 1G+. Used in combination with other analysis software, it allows statistical network analysis and diagnostic, and provides configuration options for traffic capture, timestamping, port diagnostic, and port control.

Connection



Connectors	2 x RJ45 8 pins • 1 x SMA female (PPS) • 1 x SMA female (GPS) • 1 x USB 3.0 / USB 2.0 • 1 x 5 VDC optional input
LEDs	2 x Link activity • 2 x Speed • 1 x Sync • 1 x Power
Max. Network Latency	Link @ 1 Gbps 370 ns • Link @ 100 Mbps 660 ns • Link @ 10 Mbps 6600 ns
System requirements	Dual Core Processor • 4 GB memory • USB 3.0 port
Supported OS	Windows 7 32-bit & 64-bit • Windows 8 32-bit & 64-bit • Linux
Dimensions (WxDxH)	105 x 124 x 26 mm • 4.13 x 4.88 x 1.02 in
Weight	280 g • 0.62 lb
Accessories	GPS/GLONASS Antenna • 1.8 m USB 3.0 cable • RJ45 cable • Pouch • USB key
Compliance	RoHS

Profitap HQ B.V.

High Tech Campus 9
5656 AE Eindhoven
The Netherlands

+31 (0) 40 782 0880

www.profitap.com